

CCS Technical Documentation

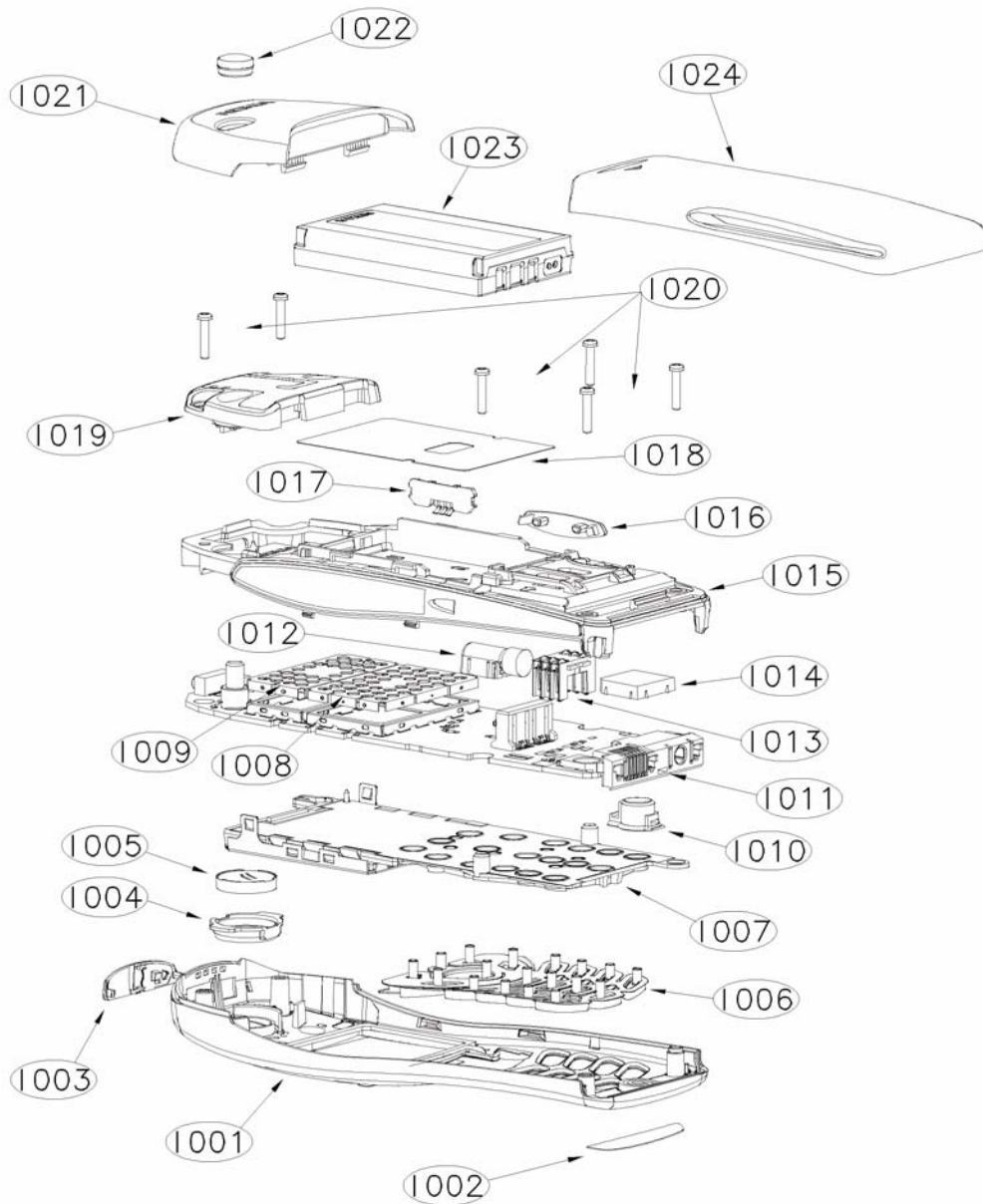
RH-13 Series Transceivers

Parts List

Contents

	Page No
Exploded view - RH-13	3
Assembly Parts of RH-13	4
Parts List with Grid References (RH-13).....	5

Exploded view - RH-13



Assembly Parts of RH-13

Item	Qty	Product code	Description	Value, Type
I001	1	9458356	A-cover assembly, Dynamic Grey	
I002	1	9370602	Digital Logo Label (Linus) DG	
		9370614	Cingular Wireless Logo Label (Linus) DG	
		9370667	Fido (Microcell) Logo Label DG	
I003	1	9451904	IR lens	
I004	1	9480624	Speaker gasket	
I005	1	5140067	Speaker	
I006	1	9794050	Keymat	
I007	1	4850141	LCD module	
I008	1	9510634	RF-shield RX lid	
I009	1	9510635	RF-shield TX lid	
I010	1	5140213	Microphone	
I011	1	5469061	System connector	
I012	1	6800053	Vibrator	
I013	1	5400169	SIM connector	
I014	1	5140229	Buzzer	
I015	1	9490234	D-cover assembly	
I016	1	9790501	Volume key	
I017	1	5219021	Volume switch	
I018	1	9370588	Type label	
I019	1	0660235	Antenna	
I020	6	6290109	Screws	
I021	1	9451913	Antenna cover	
I022	1	9451139	Dust cap	
I023	1	0670283	Battery BLB-3	
I024	1	9451912	Battery cover	

Parts List with Grid References (RH-13)

Item	Code	Side	X	Y	Part name	Value	Description
A701	9517076	Top	G	5	RF SHIELD TX FRAME DMD06724 HDAH0	~	~
A702	9517075	Top	K	5	RF SHIELD RX FRAME DMD06726 HDAH0	~	~
B200	4510303	Top	R	8	CRYSTAL 32.768KHZ+-30PPM 9PF	32.768kHz	~
C100	2320536	Top	T	5	Chipcap 5% NP0	10p	normal,-5%,5%
C101	2320544	Top	W	3	Chipcap 5% NP0	22p	normal,-5%,5%
C102	2320536	Top	T	6	Chipcap 5% NP0	10p	normal,-5%,5%
C103	2320544	Top	W	3	Chipcap 5% NP0	22p	normal,-5%,5%
C104	2320544	Top	W	4	Chipcap 5% NP0	22p	normal,-5%,5%
C105	2320744	Top	T	8	Chipcap X7R 10% 50V 0402	1n0	normal,-10%,10%
C107	2320778	Top	W	6	Chipcap X7R 10% 16V 0402	10n	normal,-10%,10%
C108	2320536	Top	T	5	Chipcap 5% NP0	10p	normal,-5%,5%
C109	2320536	Top	T	5	Chipcap 5% NP0	10p	normal,-5%,5%
C150	2320778	Top	W	4	Chipcap X7R 10% 16V 0402	10n	normal,-10%,10%
C151	2320783	Top	T	6	CHIPCAP X7R 33N K 10V 0402	33n	normal,-10%,10%
C152	2320783	Top	T	6	CHIPCAP X7R 33N K 10V 0402	33n	normal,-10%,10%
C153	2320536	Top	W	4	Chipcap 5% NP0	10p	normal,-5%,5%
C154	2312243	Top	V	4	CHIPCAP X5R 4U7 K 6V3 0805	4u7	normal,-10%,10%
C155	2320783	Top	V	4	CHIPCAP X7R 33N K 10V 0402	33n	normal,-10%,10%
C156	2320783	Top	V	4	CHIPCAP X7R 33N K 10V 0402	33n	normal,-10%,10%
C157	2320560	Top	T	6	Chipcap 5% NP0	100p	normal,-5%,5%
C158	2320546	Top	W	4	Chipcap 5% NP0	27p	normal,-5%,5%
C159	2320560	Top	V	4	Chipcap 5% NP0	100p	normal,-5%,5%
C160	2320481	Top	V	6	CHIPCAP X5R 1U K 6V3 0603	1u0	normal,-10%,10%
C161	2320481	Top	W	3	CHIPCAP X5R 1U K 6V3 0603	1u0	normal,-10%,10%
C162	2320544	Top	W	5	Chipcap 5% NP0	22p	normal,-5%,5%
C163	2320546	Top	V	4	Chipcap 5% NP0	27p	normal,-5%,5%
C164	2320778	Top	W	4	Chipcap X7R 10% 16V 0402	10n	normal,-10%,10%
C165	2320536	Top	V	4	Chipcap 5% NP0	10p	normal,-5%,5%
C166	2312243	Top	U	5	CHIPCAP X5R 4U7 K 6V3 0805	4u7	normal,-10%,10%
C167	2320560	Top	V	4	Chipcap 5% NP0	100p	normal,-5%,5%
C168	2320546	Top	W	5	Chipcap 5% NP0	27p	normal,-5%,5%
C169	2320805	Top	T	6	CHIPCAP X5R 100N K 10V 0402	100n	normal,-10%,10%
C170	2320546	Top	T	6	Chipcap 5% NP0	27p	normal,-5%,5%
C171	2320546	Top	T	6	Chipcap 5% NP0	27p	normal,-5%,5%
C172	2320546	Top	T	3	Chipcap 5% NP0	27p	normal,-5%,5%
C173	2320546	Top	T	4	Chipcap 5% NP0	27p	normal,-5%,5%
C201	2320481	Top	O	8	CHIPCAP X5R 1U K 6V3 0603	1u0	normal,-10%,10%
C202	2320778	Top	T	5	Chipcap X7R 10% 16V 0402	10n	normal,-10%,10%
C203	2320481	Top	R	6	CHIPCAP X5R 1U K 6V3 0603	1u0	normal,-10%,10%
C204	2320481	Top	P	8	CHIPCAP X5R 1U K 6V3 0603	1u0	normal,-10%,10%
C205	2320481	Top	P	8	CHIPCAP X5R 1U K 6V3 0603	1u0	normal,-10%,10%
C206	2320481	Top	Q	8	CHIPCAP X5R 1U K 6V3 0603	1u0	normal,-10%,10%
C207	2320481	Top	R	6	CHIPCAP X5R 1U K 6V3 0603	1u0	normal,-10%,10%
C208	2320481	Top	N	8	CHIPCAP X5R 1U K 6V3 0603	1u0	normal,-10%,10%
C209	2320536	Top	R	9	Chipcap 5% NP0	10p	normal,-5%,5%
C210	2320536	Top	Q	7	Chipcap 5% NP0	10p	normal,-5%,5%
C211	2320481	Top	Q	8	CHIPCAP X5R 1U K 6V3 0603	1u0	normal,-10%,10%
C212	2320481	Top	Q	8	CHIPCAP X5R 1U K 6V3 0603	1u0	normal,-10%,10%
C213	2320481	Top	P	8	CHIPCAP X5R 1U K 6V3 0603	1u0	normal,-10%,10%
C214	2320778	Top	R	7	Chipcap X7R 10% 16V 0402	10n	normal,-10%,10%
C215	2320481	Top	R	7	CHIPCAP X5R 1U K 6V3 0603	1u0	normal,-10%,10%
C216	2320481	Top	R	7	CHIPCAP X5R 1U K 6V3 0603	1u0	normal,-10%,10%
C217	2320744	Top	Q	5	Chipcap X7R 10% 50V 0402	1n0	normal,-10%,10%
C218	2320805	Top	P	5	CHIPCAP X5R 100N K 10V 0402	100n	normal,-10%,10%
C219	2320139	Top	O	8	CHIPCAP X5R 1U0 K 10V 0603	1u0	normal,-10%,10%
C220	2320744	Top	Q	5	Chipcap X7R 10% 50V 0402	1n0	normal,-10%,10%
C221	2320481	Top	N	9	CHIPCAP X5R 1U K 6V3 0603	1u0	normal,-10%,10%
C222	2320481	Top	N	8	CHIPCAP X5R 1U K 6V3 0603	1u0	normal,-10%,10%
C223	2320481	Top	N	7	CHIPCAP X5R 1U K 6V3 0603	1u0	normal,-10%,10%
C224	2320481	Top	N	7	CHIPCAP X5R 1U K 6V3 0603	1u0	normal,-10%,10%
C225	2320481	Top	N	8	CHIPCAP X5R 1U K 6V3 0603	1u0	normal,-10%,10%
C226	2320481	Top	N	7	CHIPCAP X5R 1U K 6V3 0603	1u0	normal,-10%,10%
C228	2320481	Top	N	6	CHIPCAP X5R 1U K 6V3 0603	1u0	normal,-10%,10%
C229	2320481	Top	N	6	CHIPCAP X5R 1U K 6V3 0603	1u0	normal,-10%,10%

Item	Code	Side	X	Y	Part name	Value	Description
C230	2320778	Top	Q	6	Chipcap X7R 10% 16V 0402	10n	normal,-10%,10%
C231	2320481	Top	N	7	CHIPCAP X5R 1U K 6V3 0603	1u0	normal,-10%,10%
C232	2320481	Top	N	7	CHIPCAP X5R 1U K 6V3 0603	1u0	normal,-10%,10%
C233	2320481	Top	N	8	CHIPCAP X5R 1U K 6V3 0603	1u0	normal,-10%,10%
C234	2320481	Top	N	7	CHIPCAP X5R 1U K 6V3 0603	1u0	normal,-10%,10%
C235	2320805	Top	R	7	CHIPCAP X5R 100N K 10V 0402	100n	normal,-10%,10%
C236	2320805	Top	O	5	CHIPCAP X5R 100N K 10V 0402	100n	normal,-10%,10%
C237	2320805	Top	O	5	CHIPCAP X5R 100N K 10V 0402	100n	normal,-10%,10%
C238	2320491	Top	O	8	CHIPCAP X7R 220N K 10V 0603	220n	normal,-10%,10%
C239	2320805	Top	Q	5	CHIPCAP X5R 100N K 10V 0402	100n	normal,-10%,10%
C245	2320481	Top	N	7	CHIPCAP X5R 1U K 6V3 0603	1u0	normal,-10%,10%
C261	2312243	Top	N	8	CHIPCAP X5R 4U7 K 6V3 0805	4u7	normal,-10%,10%
C262	2312243	Top	P	8	CHIPCAP X5R 4U7 K 6V3 0805	4u7	normal,-10%,10%
C264	2320481	Top	R	6	CHIPCAP X5R 1U K 6V3 0603	1u0	normal,-10%,10%
C302	2310793	Top	B	7	CHIPCAP X5R 2U2 K 10V 0805	2u2	normal,-10%,10%
C303	2320805	Top	B	6	CHIPCAP X5R 100N K 10V 0402	100n	normal,-10%,10%
C304	2320805	Top	B	7	CHIPCAP X5R 100N K 10V 0402	100n	normal,-10%,10%
C306	2320546	Top	T	8	Chipcap 5% NP0	27p	normal,-5%,5%
C307	2320546	Top	T	3	Chipcap 5% NP0	27p	normal,-5%,5%
C308	2320536	Top	T	3	Chipcap 5% NP0	10p	normal,-5%,5%
C309	2320560	Top	R	8	Chipcap 5% NP0	100p	normal,-5%,5%
C310	2320560	Top	R	8	Chipcap 5% NP0	100p	normal,-5%,5%
C350	2320546	Top	A	5	Chipcap 5% NP0	27p	normal,-5%,5%
C351	2312243	Top	B	6	CHIPCAP X5R 4U7 K 6V3 0805	4u7	normal,-10%,10%
C390	2320805	Top	T	4	CHIPCAP X5R 100N K 10V 0402	100n	normal,-10%,10%
C400	2320778	Top	R	3	Chipcap X7R 10% 16V 0402	10n	normal,-10%,10%
C401	2320805	Top	R	3	CHIPCAP X5R 100N K 10V 0402	100n	normal,-10%,10%
C402	2320778	Top	P	4	Chipcap X7R 10% 16V 0402	10n	normal,-10%,10%
C403	2320778	Top	P	4	Chipcap X7R 10% 16V 0402	10n	normal,-10%,10%
C404	2320778	Top	Q	4	Chipcap X7R 10% 16V 0402	10n	normal,-10%,10%
C405	2320778	Top	P	4	Chipcap X7R 10% 16V 0402	10n	normal,-10%,10%
C420	2320744	Top	P	4	Chipcap X7R 10% 50V 0402	1n0	normal,-10%,10%
C450	2320778	Top	N	4	Chipcap X7R 10% 16V 0402	10n	normal,-10%,10%
C451	2320805	Top	N	4	CHIPCAP X5R 100N K 10V 0402	100n	normal,-10%,10%
C454	2320779	Top	O	5	CHIPCAP X7R 100N K 16V 0603	100n	normal,-10%,10%
C803	2320554	Top	K	5	Chipcap 5% NP0	56p	normal,-5%,5%
C811	2320778	Top	L	2	Chipcap X7R 10% 16V 0402	10n	normal,-10%,10%
C812	2320602	Top	L	2	Chipcap +-0.25pF NP0	4p7	normal,-0.25pF,0.25pF
C813	2320602	Top	M	2	Chipcap +-0.25pF NP0	4p7	normal,-0.25pF,0.25pF
C816	2320536	Top	L	4	Chipcap 5% NP0	10p	normal,-5%,5%
C817	2320536	Top	M	4	Chipcap 5% NP0	10p	normal,-5%,5%
C818	2320778	Top	J	3	Chipcap X7R 10% 16V 0402	10n	normal,-10%,10%
C819	2320550	Top	J	2	Chipcap 5% NP0	39p	normal,-5%,5%
C820	2320550	Top	J	2	Chipcap 5% NP0	39p	normal,-5%,5%
C821	2320744	Top	L	7	Chipcap X7R 10% 50V 0402	1n0	normal,-10%,10%
C823	2320785	Top	J	6	chipcap x7r 47n k 10v 0402	47n	normal,-10%,10%
C824	2320805	Top	L	7	CHIPCAP X5R 100N K 10V 0402	100n	normal,-10%,10%
C825	2320560	Top	D	8	Chipcap 5% NP0	100p	normal,-5%,5%
C826	2320536	Top	C	8	Chipcap 5% NP0	10p	normal,-5%,5%
C830	2320805	Top	K	4	CHIPCAP X5R 100N K 10V 0402	100n	normal,-10%,10%
C831	2320536	Top	J	6	Chipcap 5% NP0	10p	normal,-5%,5%
C832	2320805	Top	J	6	CHIPCAP X5R 100N K 10V 0402	100n	normal,-10%,10%
C833	2320805	Top	L	6	CHIPCAP X5R 100N K 10V 0402	100n	normal,-10%,10%
C834	2320554	Top	L	5	Chipcap 5% NP0	56p	normal,-5%,5%
C835	2320536	Top	J	7	Chipcap 5% NP0	10p	normal,-5%,5%
C836	2320805	Top	J	7	CHIPCAP X5R 100N K 10V 0402	100n	normal,-10%,10%
C837	2320805	Top	L	5	CHIPCAP X5R 100N K 10V 0402	100n	normal,-10%,10%
C839	2320536	Top	J	5	Chipcap 5% NP0	10p	normal,-5%,5%
C840	2320805	Top	J	6	CHIPCAP X5R 100N K 10V 0402	100n	normal,-10%,10%
C841	2320744	Top	J	7	Chipcap X7R 10% 50V 0402	1n0	normal,-10%,10%
C842	2320554	Top	L	6	Chipcap 5% NP0	56p	normal,-5%,5%
C843	2320481	Top	K	7	CHIPCAP X5R 1U K 6V3 0603	1u0	normal,-10%,10%
C844	2320740	Top	K	7	Chipcap X7R 10% 50V 0402	680p	normal,-10%,10%
C845	2320552	Top	L	7	Chipcap 5% NP0	47p	normal,-5%,5%

Item	Code	Side	X	Y	Part name	Value	Description
C846	2320485	Top	L	8	CHIPCAP NP0 470P J 50V 0603	470p	normal,-5%,5%
C847	2420003	Top	K	8	PPSCap CHIP 33n J 16V 1206	33n	normal,-5%,5%
C848	2320753	Top	K	7	CHIPCAP X7R 2N7 K 50V 0402	2n7	normal,-10%,10%
C850	2320552	Top	J	8	Chipcap 5% NP0	47p	normal,-5%,5%
C851	2320495	Top	K	8	CHIPCAP NP0 1N0 J 50V 0603	1n0	normal,-5%,5%
C852	2420003	Top	K	8	PPSCap CHIP 33n J 16V 1206	33n	normal,-5%,5%
C853	2322023	Top	K	7	CHIPCAP NP0 2N2 J 16V 0603	2n2	normal,-5%,5%
C854	2320785	Top	L	6	chipcap x7r 47n k 10v 0402	47n	normal,-10%,10%
C855	2320554	Top	M	5	Chipcap 5% NP0	56p	normal,-5%,5%
C857	2320778	Top	I	4	Chipcap X7R 10% 16V 0402	10n	normal,-10%,10%
C858	2320481	Top	I	5	CHIPCAP X5R 1U K 6V3 0603	1u0	normal,-10%,10%
C860	2320497	Top	J	4	CHIPCAP NP0 560P J 50V 0603	560p	normal,-5%,5%
C861	2320495	Top	I	4	CHIPCAP NP0 1N0 J 50V 0603	1n0	normal,-5%,5%
C862	2420013	Top	I	5	CHIPCAP PPS 10N J 16V 0805	10n	normal,-5%,5%
C863	2320740	Top	I	5	Chipcap X7R 10% 50V 0402	680p	normal,-10%,10%
C864	2320536	Top	L	5	Chipcap 5% NP0	10p	normal,-5%,5%
C865	2320548	Top	I	8	Chipcap 5% NP0	33p	normal,-5%,5%
C866	2320778	Top	L	7	Chipcap X7R 10% 16V 0402	10n	normal,-10%,10%
C867	2320481	Top	L	7	CHIPCAP X5R 1U K 6V3 0603	1u0	normal,-10%,10%
C868	2320805	Top	M	7	CHIPCAP X5R 100N K 10V 0402	100n	normal,-10%,10%
C869	2320778	Top	K	5	Chipcap X7R 10% 16V 0402	10n	normal,-10%,10%
C870	2320522	Top	L	7	Chipcap +-0.25pF NP0	2p7	normal,-0.25pF,0.25pF
C871	2320516	Top	K	7	Chipcap +-0.25pF NP0	1p5	normal,-0.25pF,0.25pF
C872	2320520	Top	I	7	Chipcap +-0.25pF NP0	2p2	normal,-0.25pF,0.25pF
C873	2320514	Top	I	7	Chipcap +-0.25pF NP0	1p2	normal,-0.25pF,0.25pF
C874	2320546	Top	I	8	Chipcap 5% NP0	27p	normal,-5%,5%
C876	2320740	Top	I	7	Chipcap X7R 10% 50V 0402	680p	normal,-10%,10%
C877	2320481	Top	I	7	CHIPCAP X5R 1U K 6V3 0603	1u0	normal,-10%,10%
C878	2320744	Top	L	5	Chipcap X7R 10% 50V 0402	1n0	normal,-10%,10%
C879	2320805	Top	L	6	CHIPCAP X5R 100N K 10V 0402	100n	normal,-10%,10%
C880	2320481	Top	L	6	CHIPCAP X5R 1U K 6V3 0603	1u0	normal,-10%,10%
C881	2320778	Top	L	6	Chipcap X7R 10% 16V 0402	10n	normal,-10%,10%
C882	2320532	Top	M	5	Chipcap +-0.25pF NP0	6p8	normal,-0.25pF,0.25pF
C883	2320536	Top	K	5	Chipcap 5% NP0	10p	normal,-5%,5%
C884	2320560	Top	D	9	Chipcap 5% NP0	100p	normal,-5%,5%
C885	2320560	Top	D	8	Chipcap 5% NP0	100p	normal,-5%,5%
C886	2320536	Top	E	9	Chipcap 5% NP0	10p	normal,-5%,5%
C888	2320516	Top	D	8	Chipcap +-0.25pF NP0	1p5	normal,-0.25pF,0.25pF
C889	2320560	Top	K	2	Chipcap 5% NP0	100p	normal,-5%,5%
C890	2320560	Top	K	3	Chipcap 5% NP0	100p	normal,-5%,5%
C891	2320744	Top	E	9	Chipcap X7R 10% 50V 0402	1n0	normal,-10%,10%
C893	2320744	Top	M	6	Chipcap X7R 10% 50V 0402	1n0	normal,-10%,10%
C894	2320753	Top	L	6	CHIPCAP X7R 2N7 K 50V 0402	2n7	normal,-10%,10%
C895	2320633	Top	L	6	CHIPCAP NP0 220P J 25V 0402	220p	normal,-5%,5%
C897	2320635	Top	D	9	CHIPCAP NP0 0P5 C 50V 0402	0p5	normal,-0.25p,0.25p
C901	2320560	Top	I	6	Chipcap 5% NP0	100p	normal,-5%,5%
C902	2320560	Top	I	6	Chipcap 5% NP0	100p	normal,-5%,5%
C904	2320534	Top	H	4	Chipcap +-0.25pF NP0	8p2	normal,-0.25pF,0.25pF
C905	2320524	Top	H	5	Chipcap +-0.25pF NP0	3p3	normal,-0.25pF,0.25pF
C906	2320536	Top	H	5	Chipcap 5% NP0	10p	normal,-5%,5%
C911	2320552	Top	H	6	Chipcap 5% NP0	47p	normal,-5%,5%
C912	2320558	Top	F	7	Chipcap 5% NP0	82p	normal,-5%,5%
C914	2320778	Top	G	8	Chipcap X7R 10% 16V 0402	10n	normal,-10%,10%
C915	2320572	Top	F	8	Chipcap 5% X7R	330p	normal,-5%,5%
C921	2320536	Top	F	5	Chipcap 5% NP0	10p	normal,-5%,5%
C922	2320744	Top	G	5	Chipcap X7R 10% 50V 0402	1n0	normal,-10%,10%
C924	2320578	Top	F	8	Chipcap 5% X7R	560p	normal,-5%,5%
C925	2320635	Top	G	4	CHIPCAP NP0 0P5 C 50V 0402	0p5	normal,-0.25p,0.25p
C926	2320572	Top	F	7	Chipcap 5% X7R	330p	normal,-5%,5%
C928	2320514	Top	G	5	Chipcap +-0.25pF NP0	1p2	normal,-0.25pF,0.25pF
C929	2320107	Top	N	7	Cer cap 5% X7R	10n	normal,-5%,5%
C931	2320534	Top	G	3	Chipcap +-0.25pF NP0	8p2	normal,-0.25pF,0.25pF
C932	2320534	Top	H	3	Chipcap +-0.25pF NP0	8p2	normal,-0.25pF,0.25pF
C963	2320536	Top	H	5	Chipcap 5% NP0	10p	normal,-5%,5%

Item	Code	Side	X	Y	Part name	Value	Description
C964	2320548	Top	G	4	Chipcap 5% NP0	33p	normal,-5%,5%
C966	2320522	Top	H	4	Chipcap +-0.25pF NP0	2p7	normal,-0.25pF,0.25pF
C967	2320548	Top	H	3	Chipcap 5% NP0	33p	normal,-5%,5%
D200	4370841	Top	P	7	UEM V6.0 W-DOG ENA TO09H TFBGA168	~	~
D400	4370815	Top	Q	3	UPP8M V1.1 F741987A C05 UBGA144	~	~
D450	4341203	Top	N	3	FLASH 4MX16 85/15NS 1.8V UBGA44	64Mbit	~
F100	5119019	Top	T	8	SM FUSE F 1.5A 32V 0603	1.5A	~
G801	4510341	Top	M	8	VCTCXO 19.2MHZ+-2.5PPM 2.8V 1.5MA	19.2MHz	~
G802	4350321	Top	J	4	VCO 2004-2126MHZ 2.8V 11.5MA	2004-2126MHz	~
L100	3203743	Top	T	8	FERR.BEAD 0R03 42R/100MHZ 3A 0805	42R/100MHz	~
L151	3203741	Top	W	5	FERRITE BEAD 0R5 600R/100MHZ 0603	600R/100MHz	~
L152	3203741	Top	W	4	FERRITE BEAD 0R5 600R/100MHZ 0603	600R/100MHz	~
L158	3203741	Top	W	4	FERRITE BEAD 0R5 600R/100MHZ 0603	600R/100MHz	~
L159	3203741	Top	W	4	FERRITE BEAD 0R5 600R/100MHZ 0603	600R/100MHz	~
L802	3645211	Top	L	5	CHIP COIL 6N8 K Q27/250MHZ 0603	6n8H	normal,-10%,10%
L803	3646043	Top	K	3	CHIP COIL 1N5 +-0N3 Q33/800M 0402	1n5H	normal,-0n3,0n3
L805	3646083	Top	K	5	CHIP COIL 100N J Q16/300M 0402	100nH	normal,-5%,5%
L806	3646067	Top	K	5	CHIP COIL 18N J Q29/800M 0402	18nH	normal,-5%,5%
L809	3646069	Top	J	5	CHIP COIL 33N J Q23/800M 0402	33nH	normal,-5%,5%
L810	3646009	Top	J	4	CHIP COIL 10N J Q30/800M 0402	10nH	normal,-5%,5%
L811	3643087	Top	M	2	CHIP COIL 180N J Q13/50MHZ 0805	180nH	normal,-5%,5%
L812	3643087	Top	L	2	CHIP COIL 180N J Q13/50MHZ 0805	180nH	normal,-5%,5%
L813	3645067	Top	M	4	CHIP COIL 330N J Q48/250MHZ 0805	330nH	normal,-5%,5%
L814	3645087	Top	I	2	CHIP COIL 82N J Q65/500MHZ 0805	82nH	normal,-5%,5%
L815	3645087	Top	I	2	CHIP COIL 82N J Q65/500MHZ 0805	82nH	normal,-5%,5%
L816	3641575	Top	L	2	CHIP COIL 100N J Q40/150MHZ 0805	100nH	normal,-5%,5%
L818	3645077	Top	L	7	CHIP COIL 27N G Q55/500MHZ 0805	27nH	normal,-2%,2%
L819	3645145	Top	I	7	CHIP COIL 39N J Q12/100MHZ 0603	39nH	normal,-5%,5%
L820	3645089	Top	J	8	CHIP COIL 20NH G Q70/500MHZ 0805	20nH	normal,-2%,2%
L825	3646003	Top	D	8	CHIP COIL 2N2+-0N3 Q30/800M 0402	2n2H	normal,-0n3,0n3
L827	3646099	Top	E	9	CHIP COIL 2N7+-0N3 Q29/800M 0402	2n7H	normal,-0n3,0n3
L828	3645145	Top	J	7	CHIP COIL 39N J Q12/100MHZ 0603	39nH	normal,-5%,5%
L829	3645075	Top	M	6	CHIP COIL 180N G Q50/250MHZ 0805	180nH	normal,-2%,2%
L830	3646061	Top	K	3	CHIP COIL 15N J Q30/800M 0402	15nH	normal,-5%,5%
L831	3646061	Top	L	3	CHIP COIL 15N J Q30/800M 0402	15nH	normal,-5%,5%
L835	3646051	Top	K	4	CHIP COIL 3N9 +-0N3 Q28/800M 0402	3n9H	normal,-0n3,+0n3
L836	3646051	Top	K	4	CHIP COIL 3N9 +-0N3 Q28/800M 0402	3n9H	normal,-0n3,+0n3
L901	3646067	Top	H	5	CHIP COIL 18N J Q29/800M 0402	18nH	normal,-5%,5%
L903	3643089	Top	F	6	CHIP COIL 2.7NH +-0N5 Q20 1.9A 0805	2.7nH	normal,+0N5,-0N5
L905	3643001	Top	H	6	Chip Coil 10nH J Q30/250MHZ 0805	10nH	normal,-5%,5%
L927	3646097	Top	F	5	CHIP COIL 39N J Q24/800M 0402	39nH	normal,-5%,5%
L931	3646081	Top	G	3	CHIP COIL 68N J Q17/300M 0402	68nH	normal,-5%,5%
L932	3646081	Top	H	3	CHIP COIL 68N J Q17/300M 0402	68nH	normal,-5%,5%
L961	3646009	Top	H	5	CHIP COIL 10N J Q30/800M 0402	10nH	normal,-5%,5%
L975	3645157	Top	E	2	CHIP COIL 100N K Q12/100MHZ 0603	100nH	normal,-10%,10%
L977	3646081	Top	H	7	CHIP COIL 68N J Q17/300M 0402	68nH	normal,-5%,5%
L978	3646083	Top	F	7	CHIP COIL 100N J Q16/300M 0402	100nH	normal,-5%,5%
L979	3646055	Top	H	4	CHIP COIL 8N2 J Q28/800MHZ 0402	8n2H	normal,-5%,+5%
L980	3646055	Top	H	4	CHIP COIL 8N2 J Q28/800MHZ 0402	8n2H	normal,-5%,+5%
L981	3646053	Top	G	5	CHIP COIL 4N7 +-0N3 Q28/800M 0402	4n7H	normal,-0n3,+0n3
L982	3646087	Top	G	5	CHIP COIL 1N8+-0N3 Q31/800M 0402	1n8H	normal,-0n3,0n3
N801	4370849	Top	K	6	SAFARI_GTE3.2 TZC5HRTT TFBGA108	~	~
N811	4341247	Top	J	8	RF AMP 3DBM/2500MHZ/2.7V SOT-343	~	~
N900	4350345	Top	F	5	PWR DETECTOR MODULE 800/1900 MHZ	~	~
N901	4350349	Top	G	7	PW AMP SMM5045 AMPS/GSM/TDMA	~	~
N902	4341283	Top	H	4	UPCONV 849/1910 MC13751 24QFN	~	~
R100	1620027	Top	W	3	RES NETWORK 0W06 2X47R J 0404	2x47R	normal,-5%,5%
R101	1620027	Top	W	3	RES NETWORK 0W06 2X47R J 0404	2x47R	normal,-5%,5%
R102	1430812	Top	W	3	Resistor 5% 63mW	220k	normal,-5%,5%
R104	1620027	Top	W	3	RES NETWORK 0W06 2X47R J 0404	2x47R	normal,-5%,5%
R107	1620019	Top	W	6	RES NETWORK 0W06 2X10K J 0404	2x10k	normal,-5%,5%
R150	1430796	Top	V	4	Resistor 5% 63mW	47k	normal,-5%,5%
R151	1430778	Top	V	3	Resistor 5% 63mW	10k	normal,-5%,5%
R152	1620105	Top	V	4	RES NETWORK 0W06 2X2K2 J 0404	2x2k2	normal,-5%,5%

Item	Code	Side	X	Y	Part name	Value	Description
R153	1430762	Top	V	4	Resistor 5% 63mW	2k2	normal,-5%,5%
R154	1430778	Top	V	6	Resistor 5% 63mW	10k	normal,-5%,5%
R155	1430796	Top	V	3	Resistor 5% 63mW	47k	normal,-5%,5%
R156	1430762	Top	T	6	Resistor 5% 63mW	2k2	normal,-5%,5%
R157	1430710	Top	T	4	Resistor 5% 63mW	22R	normal,-5%,5%
R158	1430710	Top	T	3	Resistor 5% 63mW	22R	normal,-5%,5%
R159	1430788	Top	T	6	Resistor 5% 63mW	22k	normal,-5%,5%
R160	1620025	Top	T	5	RES NETWORK 0W06 2X100K J 0404	2x100k	normal,-5%,5%
R161	1430740	Top	W	4	Resistor 5% 63mW	330R	normal,-5%,5%
R162	1430762	Top	T	6	Resistor 5% 63mW	2k2	normal,-5%,5%
R163	1825033	Top	W	4	CHIP VARISTOR VW14V VC46V 0402	14V/46V	-
R164	1430796	Top	V	5	Resistor 5% 63mW	47k	normal,-5%,5%
R165	1430710	Top	U	5	Resistor 5% 63mW	22R	normal,-5%,5%
R166	1430762	Top	T	6	Resistor 5% 63mW	2k2	normal,-5%,5%
R200	1419003	Top	S	8	CHIPRES 0W5 0R22 J 1210	0R22	normal,-5%,5%
R202	1430087	Top	R	5	Resistor 5% 63mW	100k	normal,-5%,+5%
R203	1430087	Top	R	5	Resistor 5% 63mW	100k	normal,-5%,+5%
R204	1430804	Top	Q	5	Resistor 5% 63mW	100k	normal,-5%,5%
R205	1620019	Top	Q	5	RES NETWORK 0W06 2X10K J 0404	2x10k	normal,-5%,5%
R206	1430804	Top	M	8	Resistor 5% 63mW	100k	normal,-5%,5%
R300	1411669	Top	S	6	CHIPRES 0W1 22R J 0805	22R	normal,-5%,5%
R301	1411669	Top	Q	4	CHIPRES 0W1 22R J 0805	22R	normal,-5%,5%
R302	1430740	Top	R	3	Resistor 5% 63mW	330R	normal,-5%,5%
R303	1430740	Top	R	3	Resistor 5% 63mW	330R	normal,-5%,5%
R304	1430754	Top	N	9	Resistor 5% 63mW	1k0	normal,-5%,5%
R305	1430754	Top	N	9	Resistor 5% 63mW	1k0	normal,-5%,5%
R350	1419009	Top	B	5	CHIPRES 0W5 4R7 J 1210	4R7	normal,-5%,5%
R351	1430804	Top	B	6	Resistor 5% 63mW	100k	normal,-5%,5%
R388	4120071	Top	T	5	ASIP EMIF03-SIM01 SIM FILTER BGA8	~	~
R420	1430268	Top	N	6	CHIPRES 0W06 27K F 100PPM 0603	27k	normal,-1%,+1%
R450	1430803	Top	P	4	CHIPRES 0W06 4K7 F 200PPM 0402	4k7	normal,-1%,1%
R801	1430832	Top	L	2	Resistor 5% 63mW	2k7	normal,-5%,5%
R802	1430734	Top	L	4	Resistor 5% 63mW	220R	normal,-5%,5%
R803	1430766	Top	J	2	Resistor 5% 63mW	3k9	normal,-5%,5%
R804	1430754	Top	K	2	Resistor 5% 63mW	1k0	normal,-5%,5%
R805	1430748	Top	K	5	Resistor 5% 63mW	680R	normal,-5%,5%
R806	1430776	Top	I	5	Resistor 5% 63mW	8k2	normal,-5%,5%
R807	1430744	Top	L	8	Resistor 5% 63mW	470R	normal,-5%,5%
R808	1430770	Top	L	7	Resistor 5% 63mW	4k7	normal,-5%,5%
R809	1430803	Top	K	8	CHIPRES 0W06 4K7 F 200PPM 0402	4k7	normal,-1%,1%
R810	1430917	Top	K	7	CHIPRES 0W06 3K3 F 0402	3k3	normal,-1%,1%
R811	1430700	Top	I	6	Resistor 5% 63mW	10R	normal,-5%,5%
R812	1820039	Top	L	5	NTC RES 47K J B=4050+-3% 0402	47k	normal,-5%,5%
R813	1430700	Top	J	5	Resistor 5% 63mW	10R	normal,-5%,5%
R814	1430117	Top	J	5	Chipres 0W06 100R F 200ppm 0402	100R	normal,-1%,1%
R815	1430851	Top	I	5	CHIPRES 0W06 15K G 200PPM 0402	15k	normal,-2%,2%
R816	1430700	Top	M	7	Resistor 5% 63mW	10R	normal,-5%,5%
R817	1430778	Top	M	7	Resistor 5% 63mW	10k	normal,-5%,5%
R818	1430268	Top	J	5	CHIPRES 0W06 27K F 100PPM 0603	27k	normal,-1%,+1%
R820	1430917	Top	L	8	CHIPRES 0W06 3K3 F 0402	3k3	normal,-1%,1%
R821	1430917	Top	K	8	CHIPRES 0W06 3K3 F 0402	3k3	normal,-1%,1%
R826	1430691	Top	K	7	CHIPRES 0W06 2R2 J 0402	2R2	normal,-5%,5%
R829	1430117	Top	I	8	Chipres 0W06 100R F 200ppm 0402	100R	normal,-1%,1%
R830	1430700	Top	L	7	Resistor 5% 63mW	10R	normal,-5%,5%
R831	1430700	Top	K	7	Resistor 5% 63mW	10R	normal,-5%,5%
R833	1430700	Top	I	7	Resistor 5% 63mW	10R	normal,-5%,5%
R834	1430832	Top	L	5	Resistor 5% 63mW	2k7	normal,-5%,5%
R835	1430774	Top	L	5	Resistor 5% 63mW	6k8	normal,-5%,5%
R836	1430732	Top	E	9	Resistor 5% 63mW	180R	normal,-5%,5%
R841	1430794	Top	E	8	Resistor 5% 63mW	39k	normal,-5%,5%
R842	1430700	Top	E	8	Resistor 5% 63mW	10R	normal,-5%,5%
R843	1430690	Top	E	8	Chipres 0W06 jumper 0402	0R	normal,-,-
R901	1430796	Top	G	5	Resistor 5% 63mW	47k	normal,-5%,5%
R902	1430830	Top	N	7	Resistor 5% 63mW	1M0	normal,-5%,5%

Item	Code	Side	X	Y	Part name	Value	Description
R903	1430830	Top	N	8	Resistor 5% 63mW	1M0	normal,-5%,5%
S300	5209001	Top	A	6	SM SW TACT SPST 12V 50MA SIDE KEY	~	~
S301	5219021	Top	K	9	SM SW VOLUME UP/DOWN 30V 50MA	~	~
T801	4550153	Top	I	3	TRANSF BALUN 2060+-70MHZ 2.0X1.25	~	~
V100	4110028	Top	T	7	TVS DI 16V 600W 23A DO214AA	~	~
V151	4211611	Top	U	6	MFETX2 FDC6306P P20V1A9 0R25 SOT6	~	~
V152	4211631	Top	T	4	MFETX2 UM6K1N N 30V 0.1A 7R SC-88	~	~
V153	4110475	Top	V	5	SCH DI RB521S-30 200MA 35V SOD523	~	~
V300	4864471	Top	J	9	LED CL260YGBF YELGRN>11.5MCD 1305	~	~
V301	4864471	Top	H	9	LED CL260YGBF YELGRN>11.5MCD 1305	~	~
V302	4864471	Top	J	1	LED CL260YGBF YELGRN>11.5MCD 1305	~	~
V303	4864471	Top	H	1	LED CL260YGBF YELGRN>11.5MCD 1305	~	~
V304	4864471	Top	O	4	LED CL260YGBF YELGRN>11.5MCD 1305	~	~
V305	4864471	Top	R	7	LED CL260YGBF YELGRN>11.5MCD 1305	~	~
V306	4864471	Top	U	4	LED CL260YGBF YELGRN>11.5MCD 1305	~	~
V307	4864471	Top	U	6	LED CL260YGBF YELGRN>11.5MCD 1305	~	~
V308	4864471	Top	Q	5	LED CL260YGBF YELGRN>11.5MCD 1305	~	~
V309	4864471	Top	N	6	LED CL260YGBF YELGRN>11.5MCD 1305	~	~
V310	4864471	Top	L	1	LED CL260YGBF YELGRN>11.5MCD 1305	~	~
V311	4864471	Top	L	9	LED CL260YGBF YELGRN>11.5MCD 1305	~	~
V350	4219921	Top	B	6	TR DTC143ZE N RBE4K7/47K 0A1 SC75	~	~
V351	4860105	Top	B	4	IRDA TFDU5103 1M152 SIR/MIR 8PIN	~	~
V801	4110953	Top	L	7	CAP.DI 1SV280 C2V/C10V=2.4 SOD523	~	~
V802	4110911	Top	K	8	CAP.DI MA2SV01 15/7PF1/3V SOD523	~	~
V804	4210189	Top	D	8	TR BFP620 N 2.5V 70GHZ F=0.7 SOT43	~	~
V805	4110921	Top	M	5	CAP.DI BBY57-02W 1/4 16/4P SOD523	~	~
X100	5469061	Top	X	5	SM SYSTEM CONN 6AF+3DC+MIC+JACK	~	~
X101	5400227	Top	S	4	SM BATT CONN SPR 4POL 100V 2A	~	~
X900	5429023	Top	D	2	SM CONN COAX+SW+GASK 50R 2.5GHZ	~	~
X901	9510434	Top	C	4	SPRING CLIP M3E14601 NSJ-3 HD925	~	~
X902	9510434	Top	B	4	SPRING CLIP M3E14601 NSJ-3 HD925	~	~
Z101	3640085	Top	T	5	FILT 470NF 16V 0R03 2A 0805	~	~
Z300	4120031	Top	R	4	EMI/ESD FILT EMIF10-1K010F1 BGA24	~	~
Z801	4511217	Top	L	4	SAW FILT 881.5+-12.5MHZ/3.5DB 3X3	881.5MHZ	~
Z802	4511281	Top	K	4	SAW FILT 1960+-30MHZ/4.5DB 3X3	1960MHz	~
Z803	4511291	Top	L	3	SAW FILT 134.04+-0.013MHZ/5.3 7X5	134.04MHz	~
Z804	4511293	Top	K	2	SAW FILT 133.2+-0.01MHZ/6.0DB 7X5	133.2MHz	~
Z901	4511277	Top	H	2	DUAL SAW FILT 178.6/213.6MHZ 5X5	178.6_213.6MHz	~
Z905	4511307	Top	H	8	SAW FILT 836.5+-12.5MHZ/3.5DB 2X2.5	836.5MHz	~
Z906	4512177	Top	F	3	DUPL 836.5/881.5MHZ 5X5MM	836.5/881.5MHZ	~
Z908	4550117	Top	E	4	DIPL 824-894/1850-1990MHZ 3.2X1.6	824-994/1850-1990MHz	~
Z960	4511305	Top	G	5	SAW FILT 1880+-30MHZ 4.2DB 2.5X2	1880MHz	~
Z961	4511305	Top	H	7	SAW FILT 1880+-30MHZ 4.2DB 2.5X2	1880MHz	~
Z962	4512153	Top	D	6	DUPL 1850-1910/1930-1990MHZ 17X10	1850-1910/1930-1990MHz	~